

elomna

Ersatzteilliste
Backmaster EB EBC

Зип Общепит
vsezip.ru
+7(812)987-08-81

Зип Общежит

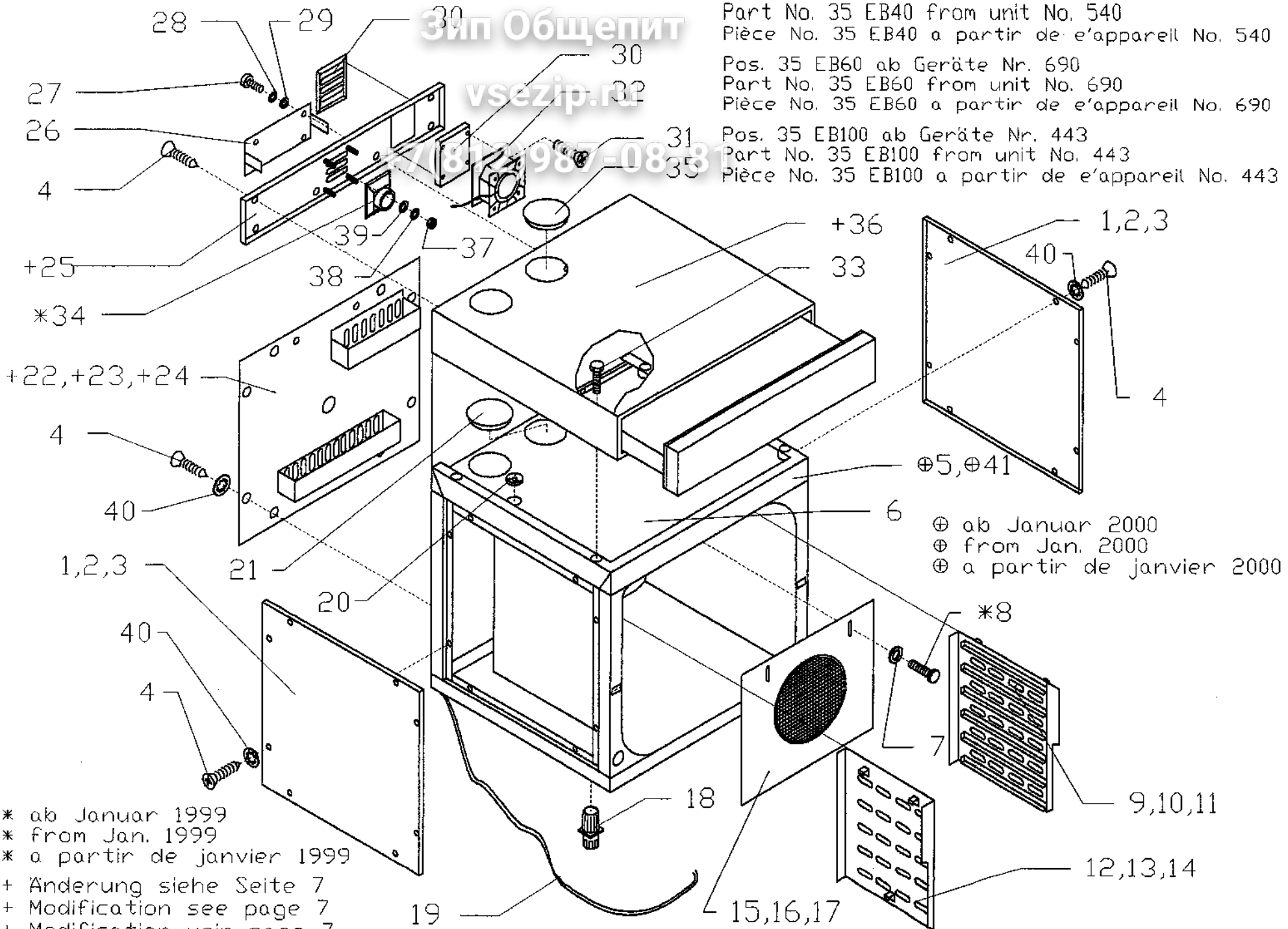
vsezip.ru

812987-0831

Pos. 35 EB40 ab Geräte Nr. 540
 Part No. 35 EB40 from unit No. 540
 Pièce No. 35 EB40 a partir de e'appareil No. 540

Pos. 35 EB60 ab Geräte Nr. 690
 Part No. 35 EB60 from unit No. 690
 Pièce No. 35 EB60 a partir de e'appareil No. 690

Pos. 35 EB100 ab Geräte Nr. 443
 Part No. 35 EB100 from unit No. 443
 Pièce No. 35 EB100 a partir de e'appareil No. 443



* ab Januar 1999
 * from Jan. 1999
 * a partir de janvier 1999

+ Änderung siehe Seite 7
 + Modification see page 7
 + Modification voir page 7

\oplus ab Januar 2000
 \oplus from Jan. 2000
 \oplus a partir de janvier 2000

Backmaster EB EBC

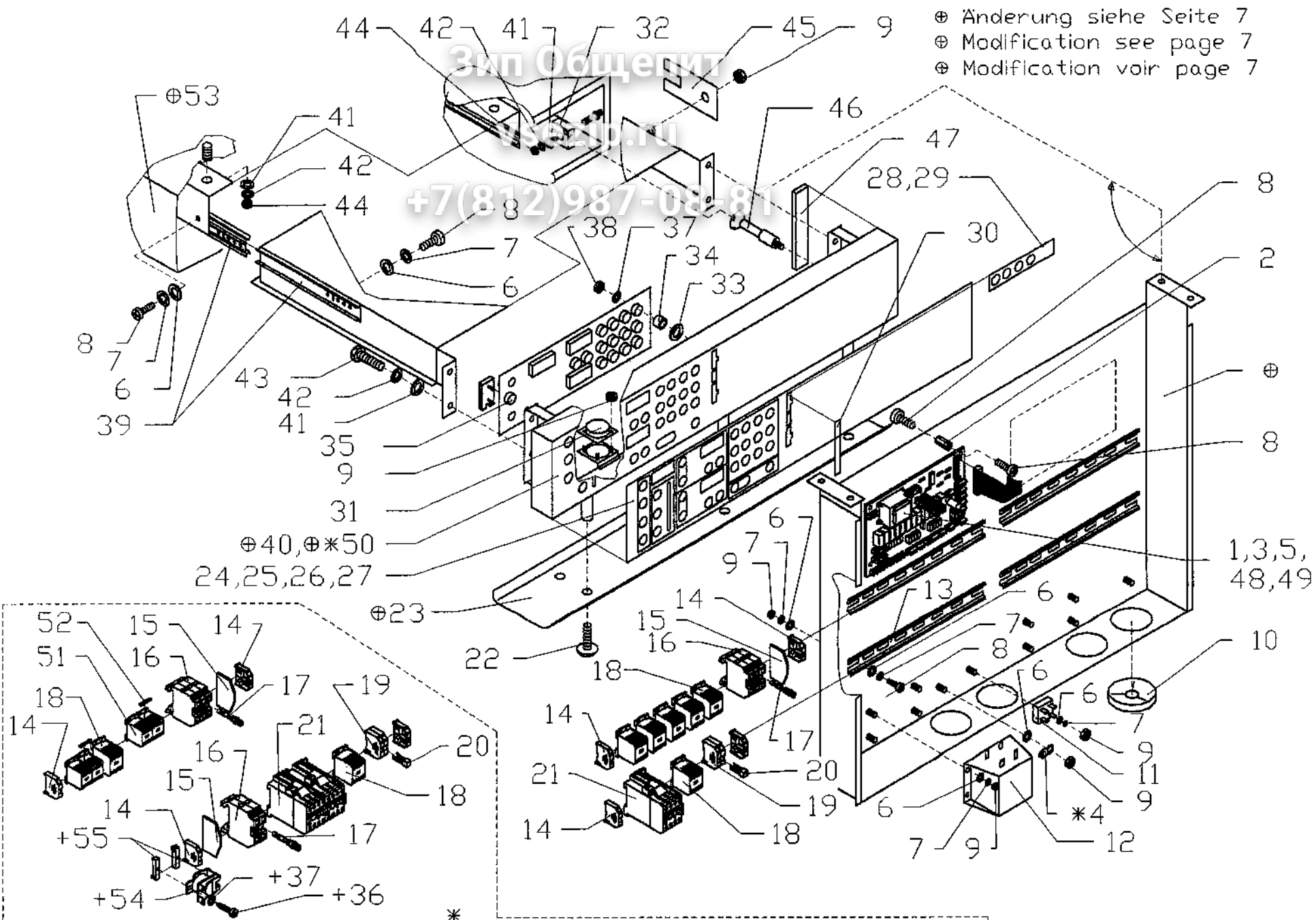
Зип Общепит

+7(812)987-08-81

Pos.	Artikel Nr.	Teile/Benennung	EB 40	EB 60	EB 100	EBC 80	EBC 100	EBC 120	electron	digital
1	477106	Seitendeckel EB 40	●						●	●
2	477108	Seitendeckel EB 60		●					●	●
3	477110	Seitendeckel EB 100			●				●	●
4	503051	Linsensenkbl. DIN 7983 C 3,9x19 V2A	●	●	●	●	●	●	●	●
5	473105	Rahmen kpl. EB	●	●	●	●	●	●	●	●
6	475113	Gehäusedeckel EB	●	●	●	●	●	●	●	●
7	508013	Scheibe DIN 125 A 6,4 V2A	●	●	●	●	●	●	●	●
8	500026	6kt-Schraube ISO 4017 M6x16 V2A	●	●	●	●	●	●	●	●
9	470097	Einhängegestell rechts EB 40	●			●			●	●
10	470099	Einhängegestell rechts EB 60		●			●		●	●
11	470101	Einhängegestell rechts EB 100			●				●	●
12	470098	Einhängegestell links EB 40	●			●			●	●
13	470100	Einhängegestell links EB 60		●			●		●	●
14	470102	Einhängegestell links EB 100			●				●	●
15	471065	Luftleitblech EB 40	●			●			●	●
16	471064	Luftleitblech EB 60		●			●		●	●
17	471063	Luftleitblech EB 100			●				●	●
18	407015	Einschlagstellfuß best.: Gewindegl.	●	●	●	●	●	●	●	●
19	302004	Anschlusskabel 5 x 2,5 konfektion.	●	●	●	●	●	●	●	●
20	306015	Gummitülle DG 9 Weich-PVC	●	●	●	●	●	●	●	●
21	407058	Abdeckung EB	●	●	●				●	●
22	477112	Rückwand EB 40	●			●			●	●
23	477113	Rückwand EB 60		●			●		●	●
24	477114	Rückwand EB 100			●				●	●
25	477115	Rückwand Elektrogehäuse EB	●	●	●	●	●	●	●	●
26	483149	Verbindungsblech EB	●	●	●	●	●	●	●	●
27	500091	Linsenschraube DIN 7985 M4x8 V2A	●	●	●	●	●	●	●	●
28	510013	Zahnscheibe DIN 6797 J4,3 V2A	●	●	●	●	●	●	●	●
29	508012	Scheibe DIN 125 A 4,3 V2A	●	●	●	●	●	●	●	●
30	418043	Austrittsfiltergehäuse f. Axiallüfter	●	●	●	●	●	●	●	●
31	503016	Linse nblechs. DIN 7981 C 3,9x9,5 V2	●	●	●	●	●	●	●	●
32	392016	Axiallüfter 10 W Pabst 80x8	●	●	●	●	●	●	●	●
33	500038	6kt-Schraube ISO 4017 M8x45 V2A	●	●	●	●	●	●	●	●
34	348016	Lautsprecher EB 40/60/100	●	●	●	●	●	●	●	●
35	407085	Blindstopfen Abluft EB 30 XL	●	●	●	●	●	●	●	●
36	475109	Elektrogehäuse EB	●	●	●				●	●
37	505030	6kt-Mutter ISO 4032 M3 V4A D	●	●	●	●	●	●	●	●
38	510020	Zahnscheibe DIN 6797 J3,2 V2A	●	●	●	●	●	●	●	●

Pos.	Artikel Nr.	Teile/Benennung	EB 40	EB 60	EB 100	EBC 80	EBC 100	EBC 120	electron	digital
39	508005	Scheibe DIN 125 A 3,2 V2A	●	●	●	●	●	●	●	●
40	510012	Fächerscheibe DIN 6798 V4,3 V2A	●	●	●	●	●	●	●	●
41	473106	Rahmen kpl. EB Linksausfü	●	●	●	●	●	●	●	●

⊕ Änderung siehe Seite 7
 ⊕ Modification see page 7
 ⊕ Modification voir page 7



*
 + EB40 ab Geräte Nr. 510
 + EB40 from unit No. 510
 + EB40 a partir de e'appareil No. 510

*
 + EB60 ab Geräte Nr. 628
 + EB60 from unit No. 628
 + EB60 a partir de e'appareil No. 628

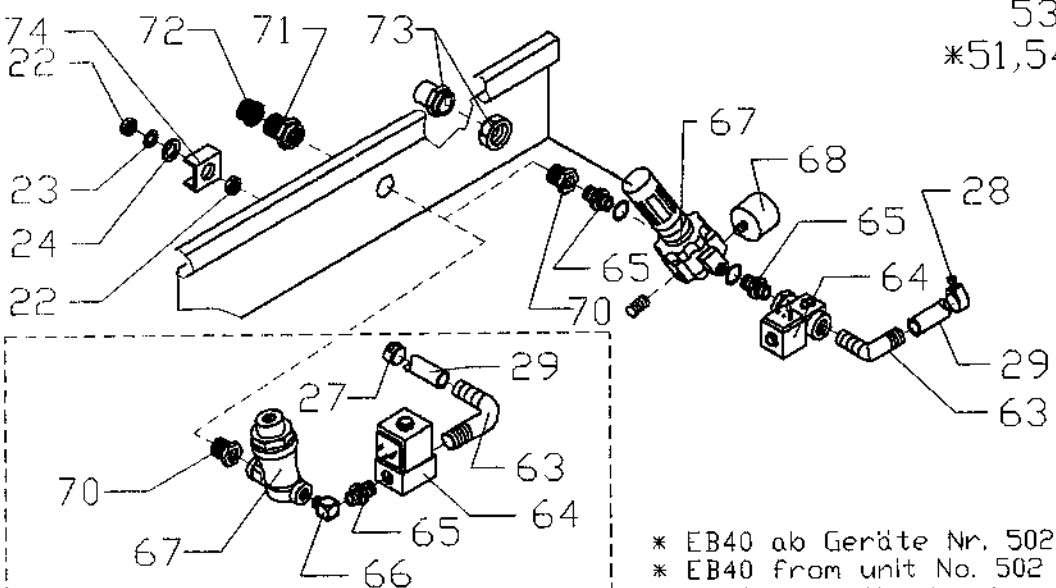
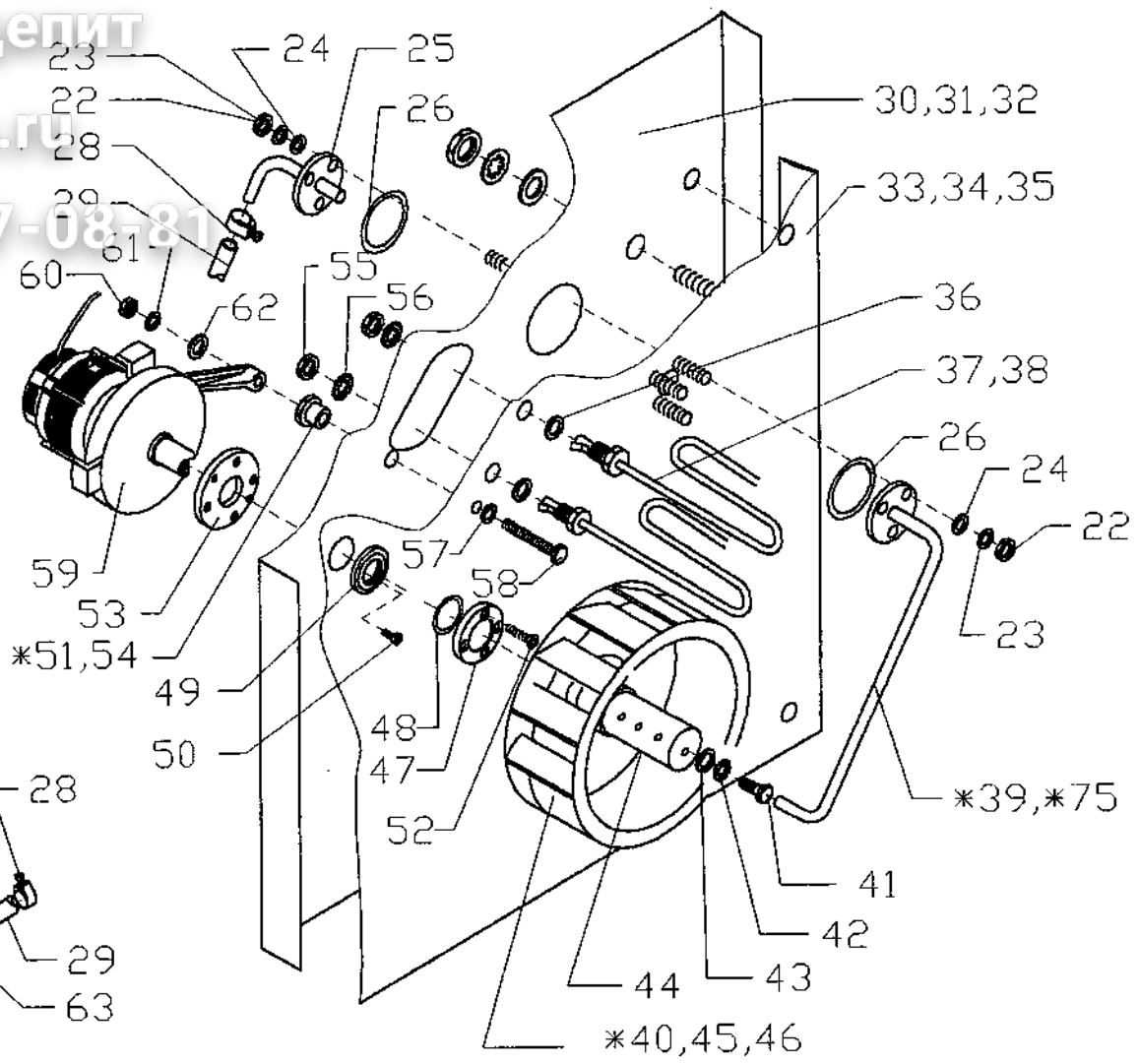
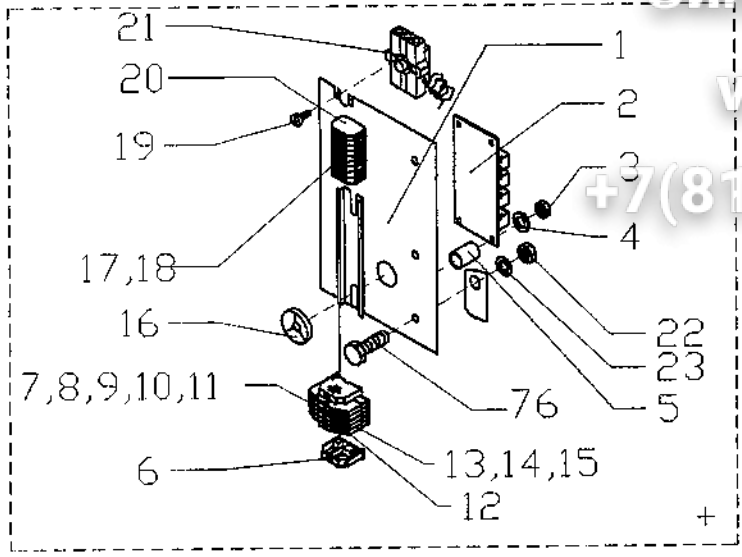
*ab Januar 1999
 *from Jan. 1999
 *a partir de janvier 1999

Backmaster EB EBC

Зип Общениит

Pos.	Artikel Nr.	Teile/Benennung	EB 40	EB 60	EB 100	EBC 80	EBC 100	EBC 120	electron	digital
1	375006	Feinsicherung 1 A träge 5 x 20 mm	●	●	●	●	●	●	●	●
2	414049	Sechskantabstandsbolzen M4 I-I, L-12	●	●	●	●	●	●	●	●
3	375007	Feinsicherung 2 A träge 5 x 20 mm	●	●	●	●	●	●	●	●
4	362136	MS-Erdungszeichen	●	●	●	●	●	●	●	●
5	344025	Netzplatine EB 40/60/100	●	●	●	●	●	●	●	●
6	508012	Scheibe DIN 125 A 4,3 V2A	●	●	●	●	●	●	●	●
7	510013	Zahnscheibe DIN 6797 J4,3 V2A	●	●	●	●	●	●	●	●
8	500091	Linsenschraube DIN 7985 M4x8 V2A	●	●	●	●	●	●	●	●
9	505031	6kt-Mutter ISO 4032 M4 V4A D	●	●	●	●	●	●	●	●
10	306025	Durchführungsstülpe PG 36	●	●	●	●	●	●	●	●
11	308056	Brückengleichrichter Silizium m	●	●	●	●	●	●	●	●
12	310024	Transformator EB / ED 20	●	●	●	●	●	●	●	●
13	373002	Klemmschiene Meterware 35 DIN	●	●	●	●	●	●	●	●
14	371010	Endklammer für Schiene 35 DIN	●	●	●	●	●	●	●	●
15	371009	Abschlußplatte für Sicherungs	●	●	●	●	●	●	●	●
16	373009	Sicherungsklemme 35 DIN	●	●	●	●	●	●	●	●
17	375002	Feinsicherung 10 A träge 5 x 20 mm	●	●	●	●	●	●	●	●
18	324001	Schütz A9/30-10 230 V 50-6	●	●	●	●	●	●	●	●
19	371021	Universalklemme blau 4qmm	●	●	●	●	●	●	●	●
20	371014	Querbrücker 4qmm (281)	●	●	●	●	●	●	●	●
21	324002	Schütz 230 V 50 H	●	●	●	●	●	●	●	●
22	500124	Becherschraube M4x8 V2A mit Innense	●	●	●	●	●	●	●	●
23	479052	Wärmestrahleblech EB nicht mehr	●	●	●	●	●	●	●	●
24	350126	Klebeblende EB 40/60/100 Backmaste	●	●	●	●	●	●	●	●
25	350142	Klebeblende EB 40/60/100 Backmaste	●	●	●	●	●	●	●	●
26	350125	Klebeblende Doppelstation EBC elect	●	●	●	●	●	●	●	●
27	350143	Klebeblende Doppelstation EBC Digita	●	●	●	●	●	●	●	●
28	360024	Bogen Backsymbole selbstklebe	●	●	●	●	●	●	●	●
29	360027	Symbolleiste Backsymbole EB Ersatz	●	●	●	●	●	●	●	●
30	382015	Einschubabdeckung EB Pantone 21	●	●	●	●	●	●	●	●
31	348016	Lautsprecher EB 40/60/100	●	●	●	●	●	●	●	●
32	382014	Verbinderaufnahme	●	●	●	●	●	●	●	●
33	508019	Unterlegscheibe Nylon D7 d3 h0,5	●	●	●	●	●	●	●	●
34	412081	Distanzhülse Kunststoff D-6,5; d-3,3	●	●	●	●	●	●	●	●
35	340027	Steuerungstastatur EB 40/60/1	●	●	●	●	●	●	●	●
36	503010	Linsenblechs. DIN 7981 C 2,9x9,5 V2	●	●	●	●	●	●	●	●
37	510020	Zahnscheibe DIN 6797 J3,2 V2A	●	●	●	●	●	●	●	●
38	505030	6kt-Mutter ISO 4032 M3 V4A D	●	●	●	●	●	●	●	●

Pos.	Artikel Nr.	Teile/Benennung	EB 40	EB 60	EB 100	EBC 80	EBC 100	EBC 120	electron	digital
39	399067	Soft-Roller EB	●	●	●	●	●	●	●	●
40	476077	Bedienblende EB	●	●	●	●	●	●	●	●
41	508013	Scheibe DIN 125 A 6,4 V2A	●	●	●	●	●	●	●	●
42	510015	Zahnscheibe DIN 6797 J6,4 V2A	●	●	●	●	●	●	●	●
43	500043	6kt-Schraube ISO 4017 M6x10 V2A	●	●	●	●	●	●	●	●
44	505032	6kt-Mutter ISO 4032 M6 V4A D	●	●	●	●	●	●	●	●
45	483130	Spezialwerkzeug EB	●	●	●	●	●	●	●	●
46	382013	Zapfen Verschuß Bedienblen	●	●	●	●	●	●	●	●
47	425129	Dichtung Bedienelement EB pro Gerät =	●	●	●	●	●	●	●	●
48	375005	Feinsicherung 6,3 A 5 x 20 mm	●	●	●	●	●	●	●	●
50	476076	Frontblende Doppelstation EBC	●	●	●	●	●	●	●	●
51	324023	Kompakt-Wendeschutz 230 V 50/6	●	●	●	●	●	●	●	●
52	324024	Wendeverbinder	●	●	●	●	●	●	●	●
53	475109	Elektrogehäuse EB	●	●	●	●	●	●	●	●
54	348002	Summer	●	●	●	●	●	●	●	●
55	373017	Haltebock isoliert für Tragesc	●	●	●	●	●	●	●	●
####	304188	Kabelbaum Steuerung EB 230 V	●	●	●	●	●	●	●	●
####	304196	Kabelbaum Steuerung EB 12 V	●	●	●	●	●	●	●	●
####	304190	Kabelbaum Heizung EB 40	●	●	●	●	●	●	●	●
####	304191	Kabelbaum Heizung EB 60 EB 100	●	●	●	●	●	●	●	●
####	304204	Kabelbaum Steuerung 230 V Backstation	●	●	●	●	●	●	●	●
####	304205	Kabelbaum Steuerung 12 V Backstation	●	●	●	●	●	●	●	●
####	304202	Kabelbaum Heizung EB 40 Backstation	●	●	●	●	●	●	●	●
####	304210	Kabelbaum Heizung EBC Backstation	●	●	●	●	●	●	●	●
####	304193	Kabelbaum Beleuchtung Türverschli	●	●	●	●	●	●	●	●
####	304300	KB Türtaster EB	●	●	●	●	●	●	●	●
####	304112	Kabelbaum Entstörfilter	●	●	●	●	●	●	●	●
####	302059	Verbindungskabel konfekt. MMD/MMC	●	●	●	●	●	●	●	●
####	304304	Kabelbaum Wassermangel EB 40/60/1	●	●	●	●	●	●	●	●



ab Januar 1999
From January 1999
à partir de janvier 1999

+ Änderung siehe Seite 8
+ Modification see page 8
+ Modification voir page 8

- * EB40 ab Geräte Nr. 502
- * EB40 from unit No. 502
- * EB40 a partir de e'appareil No. 502
- * EB60 ab Geräte Nr. 757
- * EB60 from unit No. 757
- * EB60 a partir de e'appareil No. 757
- * EB100 ab Geräte Nr. 479
- * EB100 from unit No. 479
- * EB100 a partir de e'appareil No. 479

- * EBC80 ab Geräte Nr. 401
- * EBC80 from unit No. 401
- * EBC80 a partir de e'appareil No. 401
- * EBC100 ab Geräte Nr. 407
- * EBC100 from unit No. 407
- * EBC100 a partir de e'appareil No. 407
- * EBC120 ab Geräte Nr. 419
- * EBC120 from unit No. 419
- * EBC120 a partir de e'appareil No. 419

Backmaster EB EBC

Зип Общепит

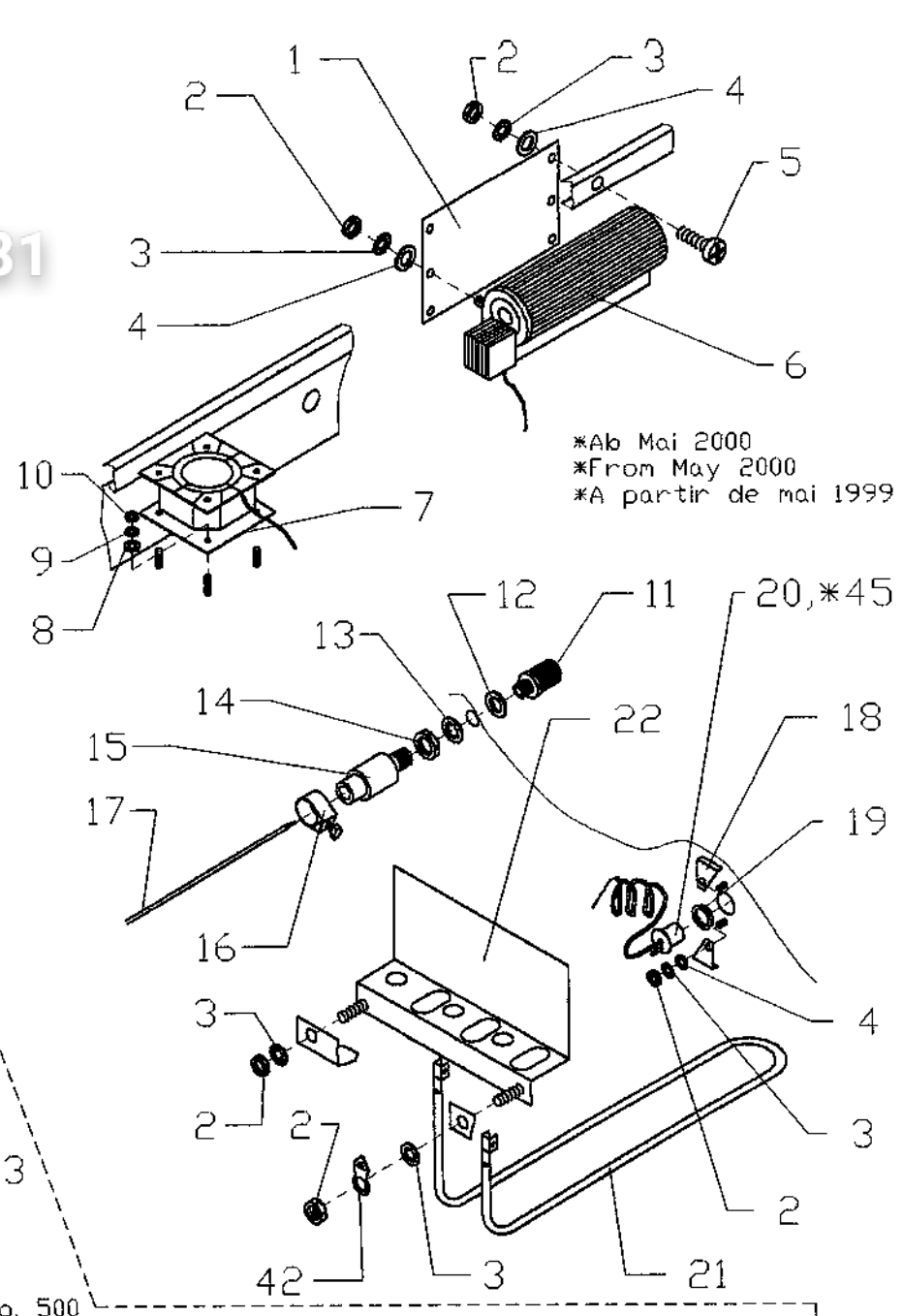
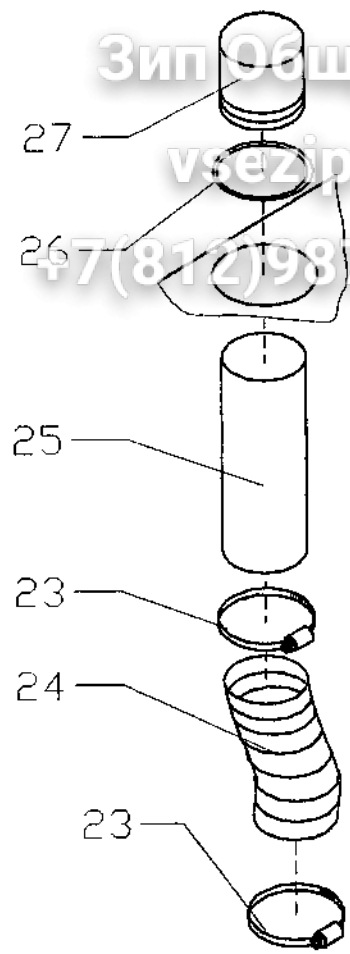
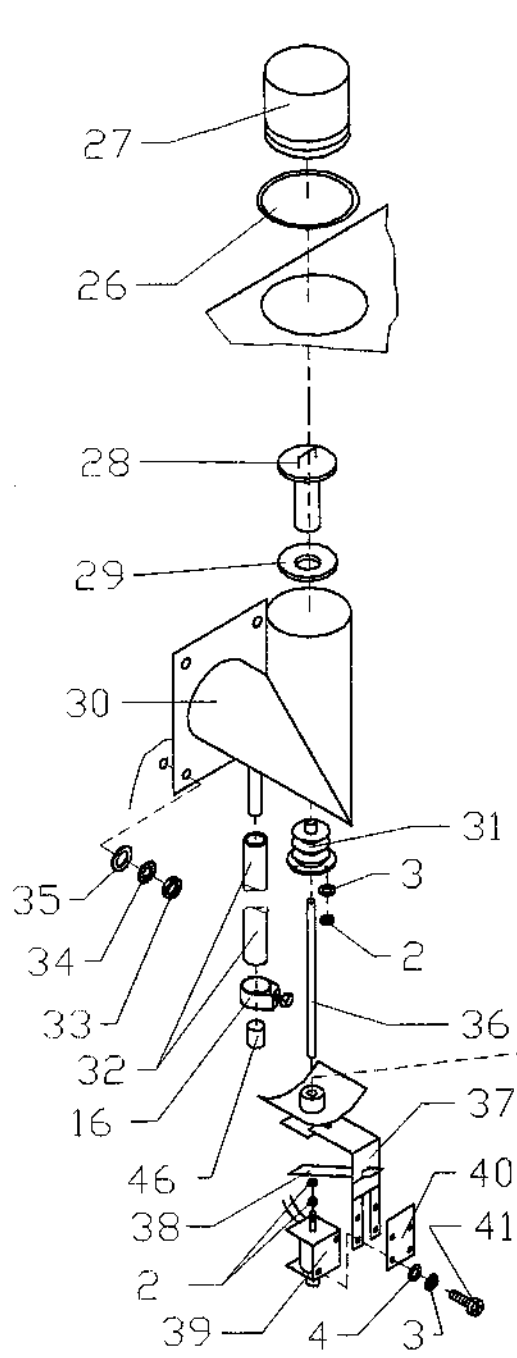
Pos.	Artikel Nr.	Teile/Benennung	EB 40	EB 60	EB 100	EB 80	EB 100	EB 120	electron	digital
1	482036	Elektromontageblech EB	●	●	●	●	●	●	●	●
2	308018	Entstörplatte 5-3 bis 20-	●	●	●	●	●	●	●	●
3	505030	6kt-Mutter ISO 4032 M3 V4, D	●	●	●	●	●	●	●	●
4	508005	Scheibe DIN 125 A 3,2 V2A	●	●	●	●	●	●	●	●
5	412081	Distanzhülse Kunststoff D-6,5; d-3,	●	●	●	●	●	●	●	●
6	371010	Endklammer für Schiene 35 DIN	●	●	●	●	●	●	●	●
7	362004	Bezeichnungstreifen "Erdung"	●	●	●	●	●	●	●	●
8	362005	Bezeichnungstreifen "N"	●	●	●	●	●	●	●	●
9	362006	Bezeichnungstreifen "L1"	●	●	●	●	●	●	●	●
10	362007	Bezeichnungstreifen "L2"	●	●	●	●	●	●	●	●
11	362008	Bezeichnungstreifen "L3"	●	●	●	●	●	●	●	●
12	371057	Abschlußplatte für 4qmm 3-Leiterkle	●	●	●	●	●	●	●	●
13	371055	Durchgangsklemme 3-Leiter blau	●	●	●	●	●	●	●	●
14	371054	Durchgangsklemme 3-Leiter grau	●	●	●	●	●	●	●	●
15	371056	Schutzleiterklemme 3-Leiter	●	●	●	●	●	●	●	●
16	306019	Durchführungstülle PG 16	●	●	●	●	●	●	●	●
17	371041	Klemme 2-Leiter grau mit Flansch	●	●	●	●	●	●	●	●
18	371040	Klemme 2-Leiter grau mit Rastfuß	●	●	●	●	●	●	●	●
19	500091	Linsenschraube DIN 7985 M4x8 V2A	●	●	●	●	●	●	●	●
20	371039	Abschlußplatte m. Rastfuß	●	●	●	●	●	●	●	●
21	336017	Sicherheitstemp. Begrenz. 305 C - 20	●	●	●	●	●	●	●	●
22	505032	6kt-Mutter ISO 4032 M6 V4A D	●	●	●	●	●	●	●	●
23	510015	Zahnscheibe DIN 6797 J6,4 V2A	●	●	●	●	●	●	●	●
24	508013	Scheibe DIN 125 A 6,4 V2A	●	●	●	●	●	●	●	●
25	442165	Wasserzulaufrohr EB Elektroraum	●	●	●	●	●	●	●	●
26	425126	O-Ring 21,8x3,53 Viton	●	●	●	●	●	●	●	●
27	422065	Spannschelle Edelstahl wiederverw	●	●	●	●	●	●	●	●
28	422017	Schlauchschele D 14	●	●	●	●	●	●	●	●
29	444055	Silikonschlauch 6x3 transparent	●	●	●	●	●	●	●	●
30	478068	Motorisoliationsblech EB 40	●	●	●	●	●	●	●	●
31	478067	Motorisoliationsblech EB 60	●	●	●	●	●	●	●	●
32	478066	Motorisoliationsblech EB 100	●	●	●	●	●	●	●	●
33	478075	Motorversteifungsblech EB 40	●	●	●	●	●	●	●	●
34	478076	Motorversteifungsblech EB 60	●	●	●	●	●	●	●	●
35	478077	Motorversteifungsblech EB 100	●	●	●	●	●	●	●	●
36	427021	Dichtung Cu Heizkörper	●	●	●	●	●	●	●	●
37	318082	Heizkörper 2.30 KW 230 V Tropendich	●	●	●	●	●	●	●	●
38	318045	Heizkörper 1,45 KW 230 V f. ELH u. M	●	●	●	●	●	●	●	●

Pos.	Artikel Nr.	Teile/Benennung	EB 40	EB 60	EB 100	EB 80	EB 100	EB 120	electron	digital
39	442164	Wasserzulaufrohr Garraum EB 60	●	●	●	●	●	●	●	●
40	392028	Lüfterrad EB verstärkte	●	●	●	●	●	●	●	●
41	500048	6kt-Schraube ISO 4017 M10x16 V2	●	●	●	●	●	●	●	●
42	510017	Zahnscheibe DIN 6797 J 10,5 V2A	●	●	●	●	●	●	●	●
43	508014	Scheibe DIN 125 A 10,5 V2A	●	●	●	●	●	●	●	●
44	412075	Verteilerhülse Dampfzer	●	●	●	●	●	●	●	●
45	392022	Gebbläserad EB 40 280 x 80	●	●	●	●	●	●	●	●
46	392021	Gebbläserad EB 60/100 350 x 80	●	●	●	●	●	●	●	●
47	412089	Wellendichtflansch E MD/MMD/E	●	●	●	●	●	●	●	●
48	425066	O-Ring 34,59x2,62 Viton	●	●	●	●	●	●	●	●
49	425063	Wellendichtring 16x41x3	●	●	●	●	●	●	●	●
50	500095	Linsenschraube DIN 7985 M3x10 V2A	●	●	●	●	●	●	●	●
51	412153	Motorabstandsbuchse für Lüfterrad E	●	●	●	●	●	●	●	●
52	500147	Senkschraube DIN 963 M4x16 V2A	●	●	●	●	●	●	●	●
53	412037	Wellendichtflansch A MD/MMD/E	●	●	●	●	●	●	●	●
54	412139	Motorabstandsbuchse EB	●	●	●	●	●	●	●	●
55	505079	Mutter Heizkörper M 14 x 1,5	●	●	●	●	●	●	●	●
56	510019	Zahnscheibe DIN 6797 J 14,5 V2A	●	●	●	●	●	●	●	●
57	427038	Kupferdichtung	●	●	●	●	●	●	●	●
58	500009	6kt-Schraube ISO 4014 M8x50 V2A	●	●	●	●	●	●	●	●
59	390044	Motor EB 40-60-100 Drehstrom	●	●	●	●	●	●	●	●
60	505033	6kt-Mutter ISO 4032 M8 V4A D	●	●	●	●	●	●	●	●
61	510016	Zahnscheibe DIN 6797 J8,4 V2A	●	●	●	●	●	●	●	●
62	508017	Scheibe DIN 125 A 8,4 V2A	●	●	●	●	●	●	●	●
63	440007	Winkeleinschraubtülle	●	●	●	●	●	●	●	●
64	436040	Magnetventil/Modell 2000 2/2 Wege-	●	●	●	●	●	●	●	●
65	440092	Doppelnippel G 1/8	●	●	●	●	●	●	●	●
66	440083	Winkel-Einschraubstutzen	●	●	●	●	●	●	●	●
67	436009	Druckminderer 1/8	●	●	●	●	●	●	●	●
68	348009	Manometer 0-4,0 bar	●	●	●	●	●	●	●	●
70	440046	Reduziernippel G 3/8 - G 1	●	●	●	●	●	●	●	●
71	440039	Reduzierstück A 3/4" I 3/8	●	●	●	●	●	●	●	●
72	418017	Schmutzsieb	●	●	●	●	●	●	●	●
73	306030	Verschraubung PG 21 mit Zugentlast	●	●	●	●	●	●	●	●
74	483035	Potentialausgleichsklemme	●	●	●	●	●	●	●	●
75	442169	Wasserzulaufrohr Garraum EB 40	●	●	●	●	●	●	●	●
76	500043	6kt-Schraube ISO 4017 M6x10 V2A	●	●	●	●	●	●	●	●

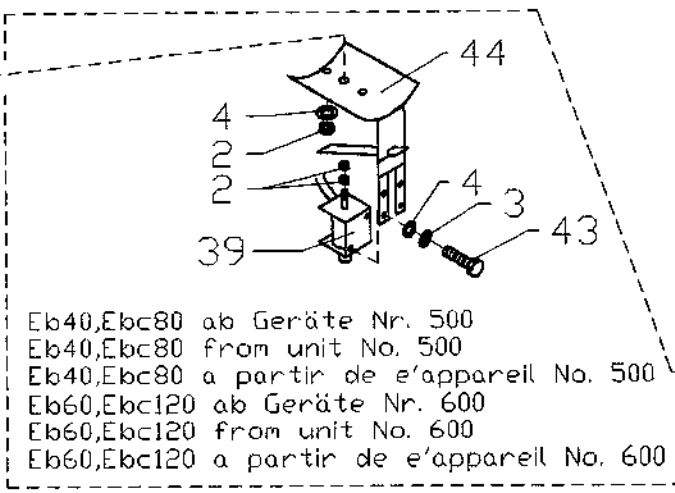
Зип Общепит

vsezip.ru

+7(812)987-08-81

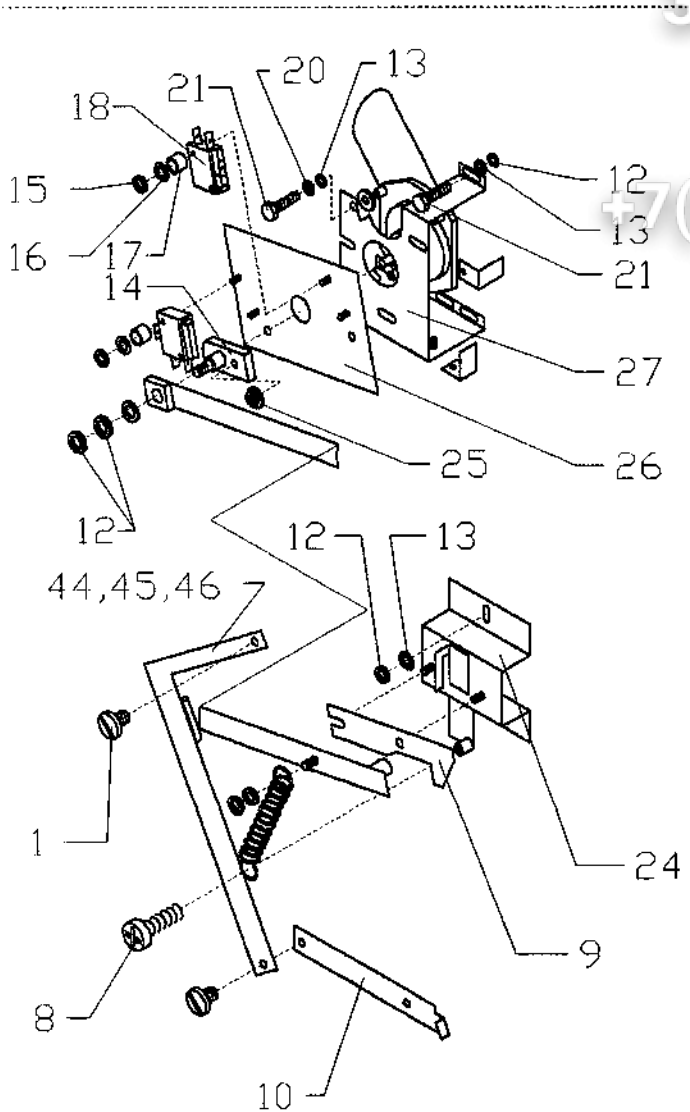


*Ab Mai 2000
 *From May 2000
 *A partir de mai 1999

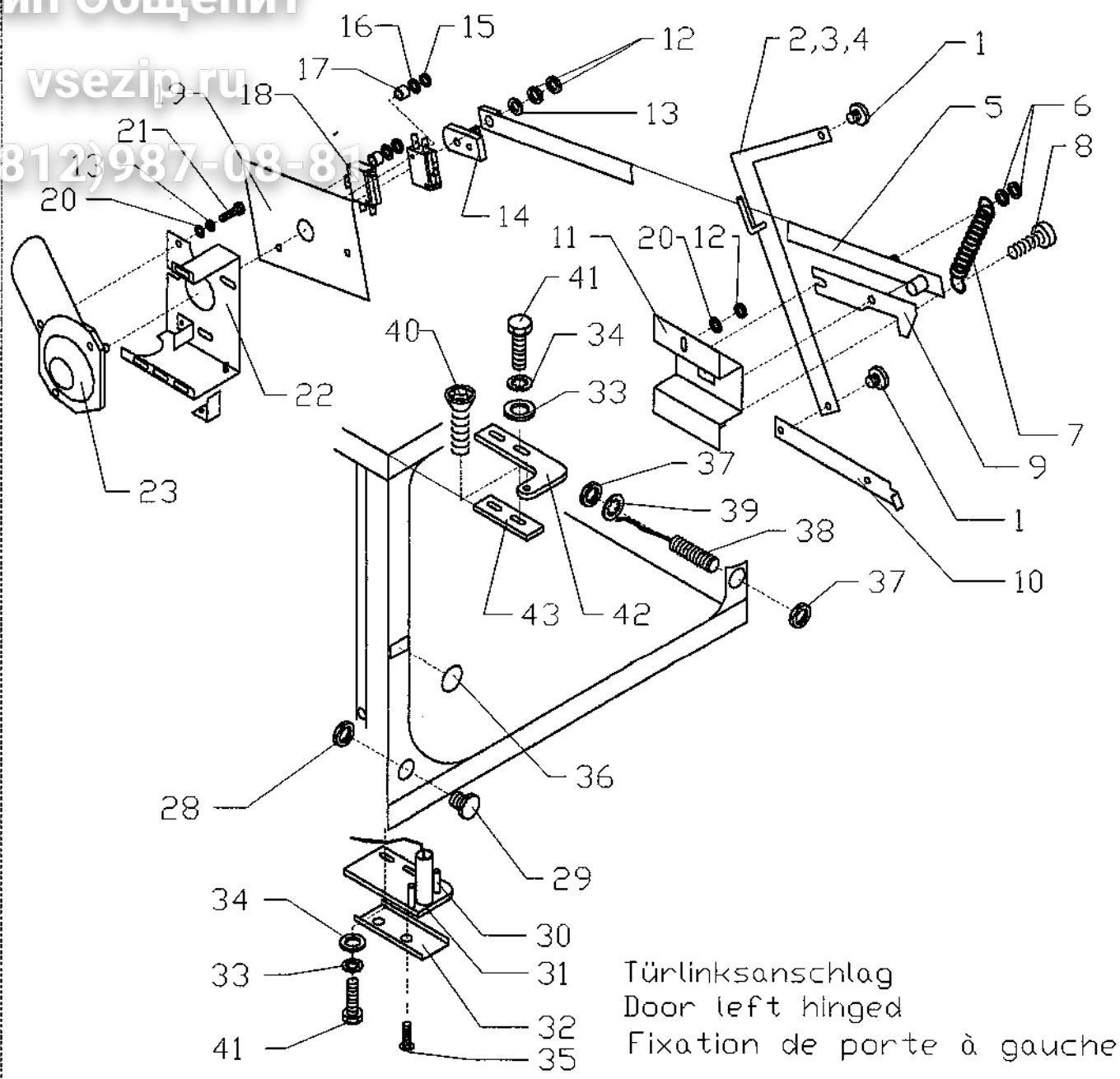


Eb40,Ebc80 ab Geräte Nr. 500
 Eb40,Ebc80 from unit No. 500
 Eb40,Ebc80 a partir de e'appareil No. 500
 Eb60,Ebc120 ab Geräte Nr. 600
 Eb60,Ebc120 from unit No. 600
 Eb60,Ebc120 a partir de e'appareil No. 600

Eb100,Ebc100 ab Geräte Nr. 400
 Eb100,Ebc100 from unit No. 400
 Eb100,Ebc100 a partir de e'appareil No. 400



Türrechtsanschlag
 Door right hinged
 Fixation de porte à gauche



Türlinksanschlag
 Door left hinged
 Fixation de porte à gauche

Backmaster EB EBC

Зип Обновит

Pos.	Artikel Nr.	Teile/Benennung	EB 40	EB 60	EB 100	EBC 80	EBC 100	EBC 120	electron	digital
1	500223	Fensterschraube ELG 3 5, 8	•	•	•	•	•	•	•	•
2	385100	Winkelhebel EB 40 Linksausfü	•	•	•	•	•	•	•	•
3	385101	Winkelhebel EB 60 Linksausfü	•	•	•	•	•	•	•	•
4	385107	Winkelhebel EB 100 Linksausfü	•	•	•	•	•	•	•	•
5	385096	Zugstange EB	•	•	•	•	•	•	•	•
6	505031	6kt-Mutter ISO 4032 M4 V4A D	•	•	•	•	•	•	•	•
7	416051	Zugfeder Winkelhebel EB	•	•	•	•	•	•	•	•
8	500119	Linsenschraube DIN 7985 M4x20 V2A	•	•	•	•	•	•	•	•
9	380064	Schließhaken Türverschluß EB	•	•	•	•	•	•	•	•
10	483140	Druckstange EB	•	•	•	•	•	•	•	•
11	483139	Schloßkasten EB	•	•	•	•	•	•	•	•
12	505032	6kt-Mutter ISO 4032 M6 V4A D	•	•	•	•	•	•	•	•
13	510015	Zahnscheibe DIN 6797 J6,4 V2A	•	•	•	•	•	•	•	•
14	410030	Kurbel Türverschluß EB	•	•	•	•	•	•	•	•
15	505030	6kt-Mutter ISO 4032 M3 V4A D	•	•	•	•	•	•	•	•
16	510020	Zahnscheibe DIN 6797 J3,2 V2A	•	•	•	•	•	•	•	•
17	320057	Rolle für Microschalter	•	•	•	•	•	•	•	•
18	320055	Microschalter	•	•	•	•	•	•	•	•
19	483147	Schaltblech EB Linksausfü	•	•	•	•	•	•	•	•
20	508013	Scheibe DIN 125 A 6,4 V2A	•	•	•	•	•	•	•	•
21	500043	6kt-Schraube ISO 4017 M6x10 V2A	•	•	•	•	•	•	•	•
22	390049	Motorhalterung EB Linksausfü	•	•	•	•	•	•	•	•
23	390032	Getriebemotor 24 V DC	•	•	•	•	•	•	•	•
24	483137	Schloßkasten EB Linksausfü	•	•	•	•	•	•	•	•
25	505108	Scheibenmutter M6 A 2	•	•	•	•	•	•	•	•
26	483138	Schaltblech EB	•	•	•	•	•	•	•	•
27	390045	Motorhalterung EB	•	•	•	•	•	•	•	•
28	505027	6kt-Mutter ISO 4032 M12 V4A	•	•	•	•	•	•	•	•
29	500069	Blindschraube M12x20 V2A	•	•	•	•	•	•	•	•
30	401041	Türlager unten EB Linksausfü	•	•	•	•	•	•	•	•
31	401047	Distanzplatte Türlager EB	•	•	•	•	•	•	•	•
32	407058	Abdeckung EB	•	•	•	•	•	•	•	•
33	510016	Zahnscheibe DIN 6797 J8,4 V2A	•	•	•	•	•	•	•	•
34	508017	Scheibe DIN 125 A 8,4 V2A	•	•	•	•	•	•	•	•
35	500067	Becherschraube M4x12 V2A	•	•	•	•	•	•	•	•
36	483150	Blindeckel EB	•	•	•	•	•	•	•	•
37	505100	Sechskantmutter M10x1 flache Form	•	•	•	•	•	•	•	•
38	320048	Magnetschalter aus Ms. Kabel 1,5 r	•	•	•	•	•	•	•	•

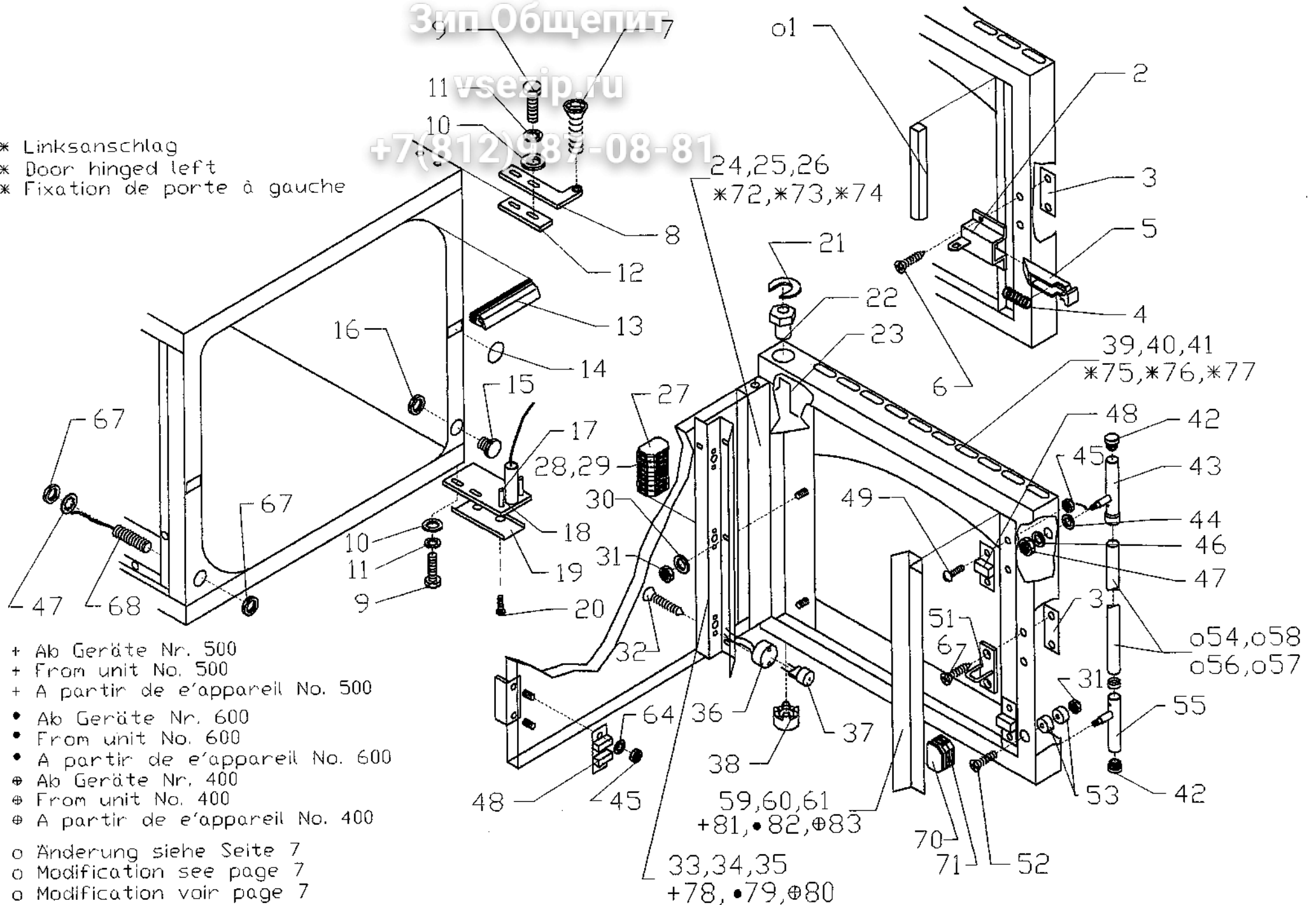
Pos.	Artikel Nr.	Teile/Benennung	EB 40	EB 60	EB 100	EBC 80	EBC 100	EBC 120	electron	digital
39	510017	Zahnscheibe DIN 6797 J 10,5 V2A	•	•	•	•	•	•	•	•
40	500243	Senkschraube Türscharnier EB	•	•	•	•	•	•	•	•
41	500047	6kt-Schraube ISO 4017 M8x30 V2A	•	•	•	•	•	•	•	•
42	401043	Türlager oben EB Linksausfü	•	•	•	•	•	•	•	•
43	401047	Distanzplatte Türlager EB	•	•	•	•	•	•	•	•
44	385103	Winkelhebel EB 40	•	•	•	•	•	•	•	•
45	385095	Winkelhebel EB 60 Türversch	•	•	•	•	•	•	•	•
46	385106	Winkelhebel EB 100	•	•	•	•	•	•	•	•
####	304193	Kabelbaum Beleuchtung Türversch	•	•	•	•	•	•	•	•

Зип Общепит

vsezip.ru

+7(812)987-08-81

- * Linksanschlag
- * Door hinged left
- * Fixation de porte à gauche



- + Ab Geräte Nr. 500
- + From unit No. 500
- + A partir de e'appareil No. 500
- Ab Geräte Nr. 600
- From unit No. 600
- A partir de e'appareil No. 600
- ⊕ Ab Geräte Nr. 400
- ⊕ From unit No. 400
- ⊕ A partir de e'appareil No. 400

- o Änderung siehe Seite 7
- o Modification see page 7
- o Modification voir page 7

Backmaster EB EBC

Зип Общепит

Pos.	Artikel Nr.	Teile/Benennung	EB 40	EB 60	EB 100	EBC 80	EBC 100	EBC 120	electron	digital
1	425139	Türanschlag Innenscheibe EB Ersatz=	●	●	●	●	●	●	●	●
2	380062	Verschluß EB	●	●	●	●	●	●	●	●
3	380063	Gegenplatte Verschluß EB	●	●	●	●	●	●	●	●
4	416050	Feder f. Verschluß EB	●	●	●	●	●	●	●	●
5	380067	Schieber EB	●	●	●	●	●	●	●	●
6	500133	Senkschraube DIN 965 M5x16 V2A	●	●	●	●	●	●	●	●
7	500243	Senkschraube Türscharnier EB	●	●	●	●	●	●	●	●
8	401044	Türlager oben EB	●	●	●	●	●	●	●	●
9	500047	6kt-Schraube ISO 4017 M8x30 V2A	●	●	●	●	●	●	●	●
10	508017	Scheibe DIN 125 A 8,4 V2A	●	●	●	●	●	●	●	●
11	510016	Zahnscheibe DIN 6797 J8,4 V2A	●	●	●	●	●	●	●	●
12	401047	Distanzplatte Türlager EB	●	●	●	●	●	●	●	●
13	425127	Türdichtung EB Endlosdich	●	●	●	●	●	●	●	●
14	483150	Blindeckel EB	●	●	●	●	●	●	●	●
15	500069	Blindschraube M12x20 V2A	●	●	●	●	●	●	●	●
16	505027	6kt-Mutter ISO 4032 M12 V4A	●	●	●	●	●	●	●	●
17	401042	Türlager unten EB	●	●	●	●	●	●	●	●
19	407058	Abdeckung EB	●	●	●	●	●	●	●	●
20	500067	Becherschraube M4x12 V2A	●	●	●	●	●	●	●	●
21	508047	Sicherungsblech EB Türlage	●	●	●	●	●	●	●	●
22	412131	Exzenterlager EB	●	●	●	●	●	●	●	●
23	420029	Scharnierhaken EB	●	●	●	●	●	●	●	●
24	472072	Innentür kpl. EB 40	●			●	●	●	●	●
25	472061	Innentür kpl. EB 60		●			●	●	●	●
26	472066	Innentür kpl. EB 100			●			●	●	●
27	371039	Abschlußplatte m. Rastfuß	●	●	●	●	●	●	●	●
28	371037	Klemme 4-Leiter grau mit Rastfuß	●	●	●	●	●	●	●	●
29	371038	Klemme 2-Leiter blau mit Rastfuß	●	●	●	●	●	●	●	●
30	508012	Scheibe DIN 125 A 4,3 V2A	●	●	●	●	●	●	●	●
31	505031	6kt-Mutter ISO 4032 M4 V4A D	●	●	●	●	●	●	●	●
32	500095	Linsenschraube DIN 7985 M3x10 V2A	●	●	●	●	●	●	●	●
33	472046	Reflektor links EB 40	●			●	●	●	●	●
34	472044	Reflektor links EB 60		●			●	●	●	●
35	472042	Reflektor links EB 100			●			●	●	●
36	314029	Halogen Lampenfassung mit Sockel	●	●	●	●	●	●	●	●
37	312021	Halogenlampe 12 V 20 W für Sockel	●	●	●	●	●	●	●	●
38	401038	Bundbuchse d=6, D=8	●	●	●	●	●	●	●	●
39	472055	Tür außen kpl. EB 40	●			●	●	●	●	●

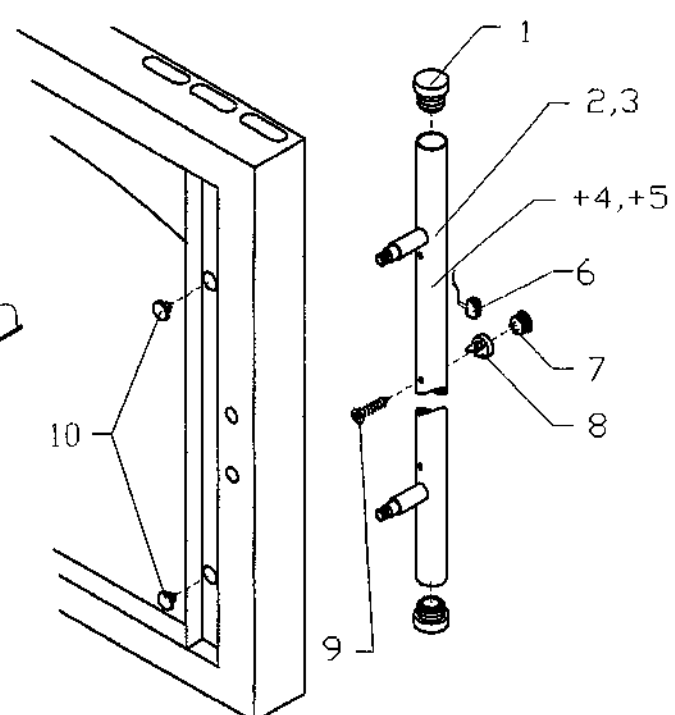
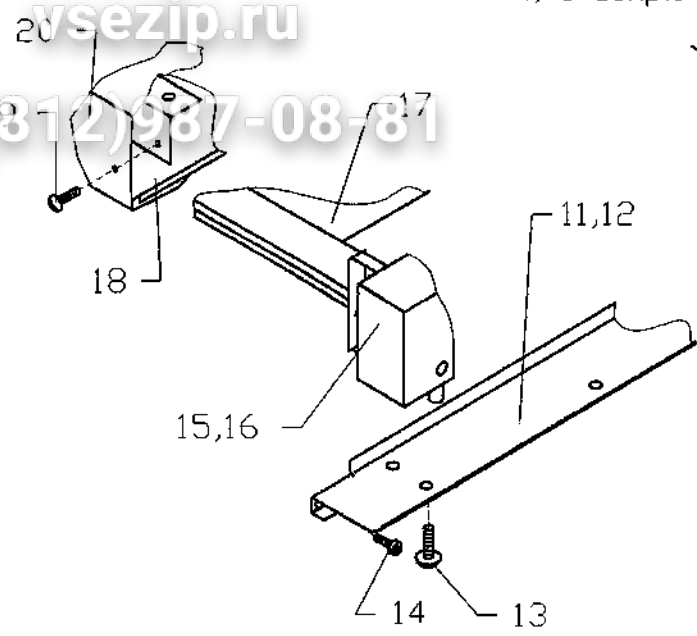
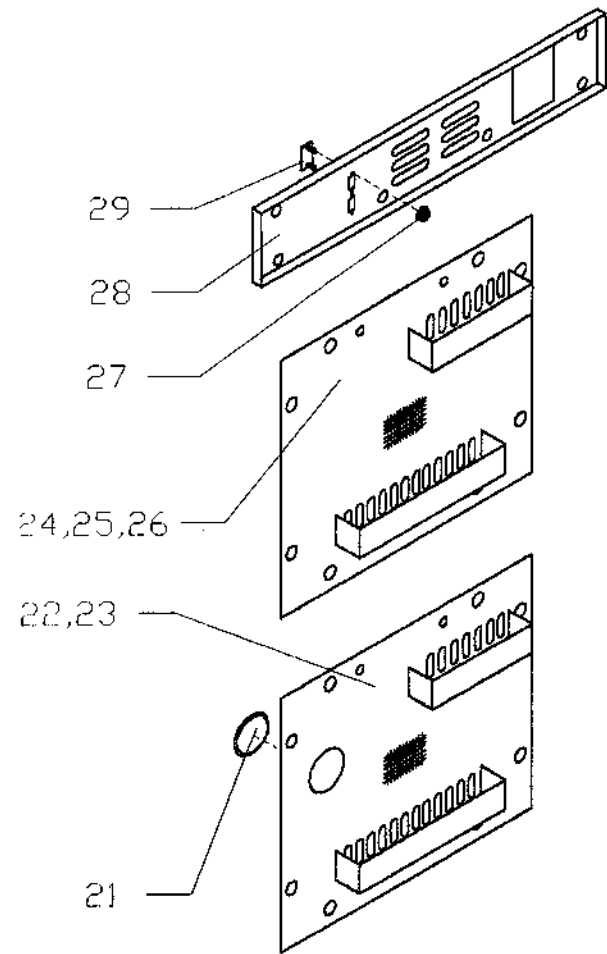
Pos.	Artikel Nr.	Teile/Benennung	EB 40	EB 60	EB 100	EBC 80	EBC 100	EBC 120	electron	digital
40	472056	Tür außen kpl. EB 60		●			●	●	●	●
41	472057	Tür außen kpl. EB 100			●			●	●	●
42	407062	Lamellenstopfen D=28 schwarz	●	●	●	●	●	●	●	●
43	380059	Endstück oben Türgriff EB	●	●	●	●	●	●	●	●
44	412134	Griffscheibe EB	●	●	●	●	●	●	●	●
45	505030	6kt-Mutter ISO 4032 M3 V4A D	●	●	●	●	●	●	●	●
46	510017	Zahnscheibe DIN 6797 J 10,5 V2A	●	●	●	●	●	●	●	●
47	505034	6kt-Mutter ISO 4032 M10 V2A	●	●	●	●	●	●	●	●
48	380061	Schnappverschluß für Innenschei	●	●	●	●	●	●	●	●
49	500191	Linsenschraube DIN 7985 M3x5 V2A	●	●	●	●	●	●	●	●
51	380062	Verschluß EB	●	●	●	●	●	●	●	●
52	500132	Senkschraube DIN 965 M4x25 V2A	●	●	●	●	●	●	●	●
53	322010	Magnet 20x10 mit roter Kappe	●	●	●	●	●	●	●	●
54	630035	BG Türgriff EB 40	●			●			●	●
55	380056	Endstück unten Türgriff EB	●	●	●	●	●	●	●	●
56	403052	Schieberohr EB 40	●			●	●		●	●
57	403046	Schieberohr EB 60		●	●		●	●	●	●
58	630034	BG Türgriff EB 60		●	●		●	●	●	●
59	472045	Reflektor rechts EB 40	●			●	●		●	●
60	472043	Reflektor rechts EB 60		●			●	●	●	●
61	472041	Reflektor rechts EB 100			●			●	●	●
64	510020	Zahnscheibe DIN 6797 J3,2 V2A	●	●	●	●	●	●	●	●
67	505100	Sechskantmutter M10x1 flache Form	●	●	●	●	●	●	●	●
68	320061	Magnetschalter 2,5m D=8x60	●	●	●	●	●	●	●	●
72	472060	Innentür kpl. EB 40 Linksansch	●			●	●		●	●
73	472062	Innentür kpl. EB 60 Linksansch		●			●	●	●	●
74	472063	Innentür kpl. EB 100 Linksansch			●			●	●	●
75	472070	Tür außen kpl. EB 40 Linksausfü	●			●	●		●	●
76	472071	Tür außen kpl. EB 60 Linksausfü		●			●	●	●	●
77	472065	Tür außen kpl. EB 100 Linksausfü			●			●	●	●
78	472118	Reflektor links EB 40/00	●			●	●		●	●
79	472120	Reflektor links EB 60/00		●			●	●	●	●
80	472122	Reflektor links EB 100/00			●			●	●	●
81	472117	Reflektor rechts EB 40/00	●			●	●		●	●
82	472119	Reflektor rechts EB 60/00		●			●	●	●	●
83	472121	Reflektor rechts EB 100/00			●			●	●	●

Зип Общепит

ysezip.ru

+7(812)987-08-81

+4,+5 incl. Position 1,2,3,6,7,8,9
 +4,+5 including parts No. 1,2,3,6,7,8,9
 +4,+5 complet avec pièces No. 1,2,3,6,7,8,9



EB40 ab Geräte Nr. 500
 EB40 from unit No. 500
 EB40 a partir de e'appareil No. 500
 EB60 ab Geräte Nr. 600
 EB60 from unit No. 600
 EB60 a partir de e'appareil No. 600
 EB100 ab Geräte Nr. 400
 EB100 from unit No. 400
 EB100 a partir de e'appareil No. 400

EBC80 ab Geräte Nr. 400
 EBC80 from unit No. 400
 EBC80 a partir de e'appareil No. 400
 EBC100 ab Geräte Nr. 400
 EBC100 from unit No. 400
 EBC100 a partir de e'appareil No. 400
 EBC120 ab Geräte Nr. 400
 EBC120 from unit No. 400
 EBC120 a partir de e'appareil No. 400

EB40 ab Geräte Nr. 502
 EB40 from unit No. 502
 EB40 a partir de e'appareil No. 502
 EB60 ab Geräte Nr. 757
 EB60 from unit No. 757
 EB60 a partir de e'appareil No. 757

EB100 ab Geräte Nr. 479
 EB100 from unit No. 479
 EB100 a partir de e'appareil No. 479
 EBC80 ab Geräte Nr. 401
 EBC80 from unit No. 401
 EBC80 a partir de e'appareil No. 401

EBC100 ab Geräte Nr. 407
 EBC100 from unit No. 407
 EBC100 a partir de e'appareil No. 407
 EBC120 ab Geräte Nr. 419
 EBC120 from unit No. 419
 EBC120 a partir de e'appareil No. 419

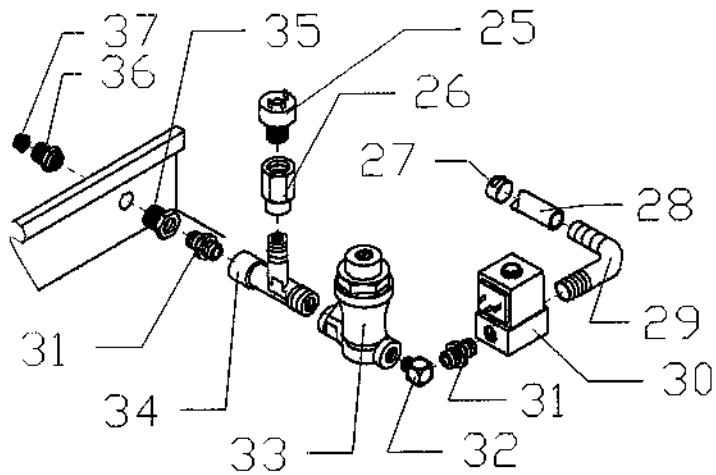
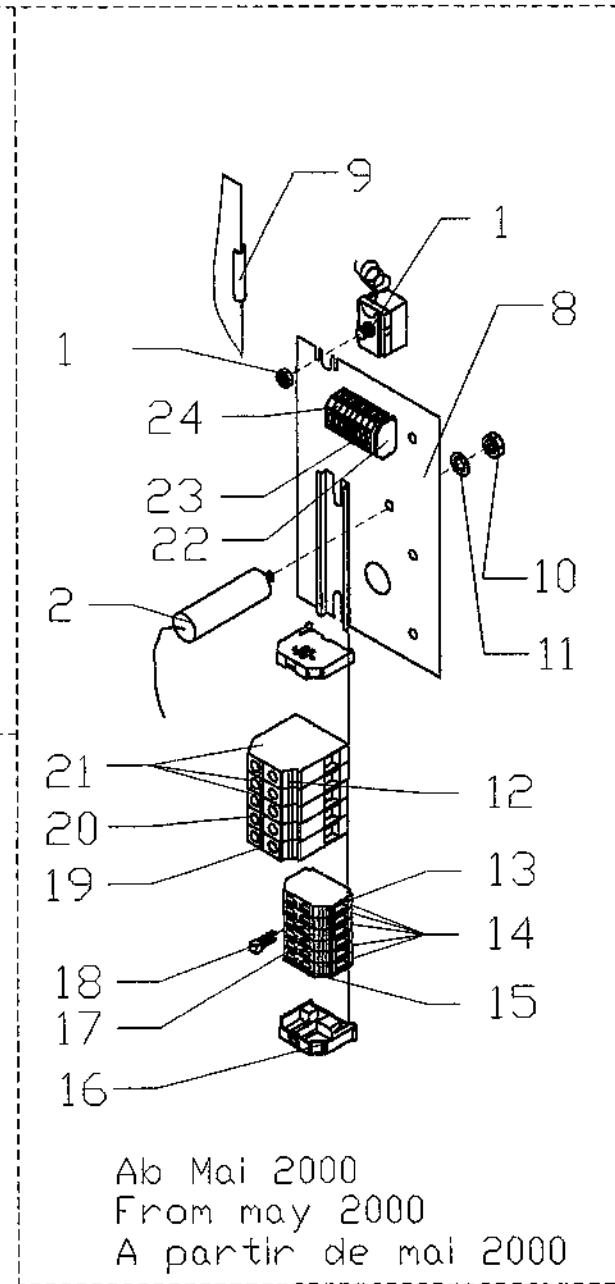
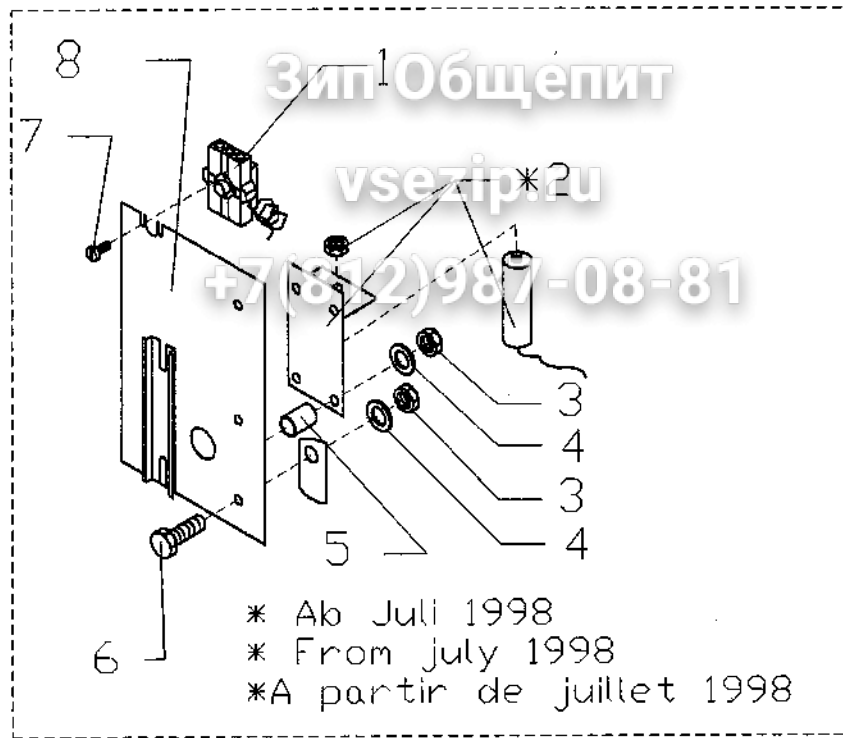
Backmaster EB EBC

Зип Общепит

Pos.	Artikel Nr.	Teile/Benennung	EB 40	EB 60	EB 100	EBC 80	EBC 100	EBC 120	electron	digital
1	407062	Lamellenstopfen D=28 schwarz	•							
2	380106	Türgriff EB 40/00	•							
3	380107	Türgriff EB 60/100/00		•	•					
4	380109	Türgriff EB 40/00 montiert								
5	380110	Türgriff EB 60/100/00 montiert		•	•					
6	371079	Anschlußklemme	•	•	•	•	•	•	•	•
7	322031	Piezo Taster EB 40/60/1	•	•	•	•	•	•	•	•
8	407076	Formteil für Taster EB/00	•	•	•	•	•	•	•	•
9	500267	Holzsenkschraube DIN 92 3x3	•	•	•	•	•	•	•	•
10	407079	Zargenpuffer 50 Shore Silikon rot	•	•	•	•	•	•	•	•
11	478099	Wärmestrahblech LA EB 40/60/1	•	•	•	•	•	•	•	•
12	478098	Wärmestrahblech RA EB 40/60/1	•	•	•	•	•	•	•	•
13	500124	Becherschraube M4x8 V2A mit Innense	•	•	•	•	•	•	•	•
14	500093	Linse schraube DIN 7985 M4x12 V2A	•	•	•	•	•	•	•	•
15	479072	Bedienblende EB/99	•	•	•					
16	479071	Bedienblende kpl EBC/99				•	•	•	•	
17	474082	Installationswanne EB/99	•	•	•	•	•	•	•	•
18	473112	Gehäuseboden kpl EB/99 für Elektrok	•	•	•	•	•	•	•	•
19	500066	Becherschraube M4x8 V2A	•	•	•	•	•	•	•	•
20	475152	Gehäusehaube kpl. EB/99	•	•	•	•	•	•	•	•
21	306019	Durchführungsstülpe PG 16				•		•		•
22	477112	Rückwand EB 40	•			•		•		•
23	477113	Rückwand EB 60		•			•	•		•
24	477114	Rückwand EB 100			•			•		•
25	477144	Rückwand EB 60 gebohrt					•	•		•
26	477145	Rückwand EB 40 gebohrt				•	•			•
27	505115	Scheibenmutter M3 V2A	•	•	•	•	•	•	•	•
28	477143	Rückwand Elektrokasten EB 40/60/1	•	•	•	•	•	•	•	•
29	483224	Blinddeckel Schnittstelle RS 223	•	•	•	•	•	•	•	•
###	304300	KB Türtaster EB	•	•	•	•	•	•	•	•

+7(812)987-08-81

Pos.	Artikel Nr.	Teile/Benennung	EB 40	EB 60	EB 100	EBC 80	EBC 100	EBC 120	electron	digital



EB40 ab Geräte Nr. 510
EB40 from unit No. 510
EB40 a partir de e'appareil No. 510

EB60 ab Geräte Nr. 628
EB60 from unit No. 628
EB60 a partir de e'appareil No. 628

Backmaster EB EBC

Зип Общепит

Pos.	Artikel Nr.	Teile/Benennung	EB 40	EB 60	EB 100	EBC 80	EBC 100	EB 120	electron	digital
1	336030	Sicherheitstemp. Begrenz. 1-polig 30s	●	●	●	●	●	●	●	●
2	598113	Umbausatz Entstörplatte 6-11/10-11	●	●	●	●	●	●	●	●
3	505032	6kt-Mutter ISO 4032 M6x14 D	●	●	●	●	●	●	●	●
4	510015	Zahnscheibe DIN 6797 J6,4 V2A	●	●	●	●	●	●	●	●
5	412081	Distanzhülse Kunststoff D-6,5; d-3,3	●	●	●	●	●	●	●	●
6	500043	6kt-Schraube ISO 4017 M6x10 V2A	●	●	●	●	●	●	●	●
7	500091	Linsenschraube DIN 7985 M4x8 V2A	●	●	●	●	●	●	●	●
8	482036	Elektromontageblech EB	●	●	●	●	●	●	●	●
9	600326	VBG O-Ring Montage S	●	●	●	●	●	●	●	●
10	505008	6kt-Mutter DIN 439 M12 V4A n	●	●	●	●	●	●	●	●
11	510018	Zahnscheibe DIN 6797 J 12,5 V2A	●	●	●	●	●	●	●	●
12	362045	Bezeichnungstreifen L1-PE	●	●	●	●	●	●	●	●
13	362070	Bezeichnungstreifen Beschriftung	●	●	●	●	●	●	●	●
14	371022	Universalklemme grau 4qmm	●	●	●	●	●	●	●	●
15	371025	Abschlußplatte für Universalkl	●	●	●	●	●	●	●	●
16	371010	Endklammer für Schiene 35 DIN	●	●	●	●	●	●	●	●
17	371021	Universalklemme blau 4qmm	●	●	●	●	●	●	●	●
18	371014	Querbrücker 4qmm (281)	●	●	●	●	●	●	●	●
19	371063	Schutzleiterklemme 10qmm zum Schra	●	●	●	●	●	●	●	●
20	371069	Neutralleiterklemme 10qmm zum Schra	●	●	●	●	●	●	●	●
21	371064	Durchgangsklemme grau 10qmm zu	●	●	●	●	●	●	●	●
22	371039	Abschlußplatte m. Rastfuß	●	●	●	●	●	●	●	●
23	371040	Klemme 2-Leiter grau mit Rastfuß	●	●	●	●	●	●	●	●
24	371041	Klemme 2-Leiter grau mit Flansch	●	●	●	●	●	●	●	●
25	320078	Druckschalter 0,4bar	●	●	●	●	●	●	●	●
27	422065	Spannschelle Edelstahl wiederverw	●	●	●	●	●	●	●	●
28	444013	Siliconschlauch 9,5x2,5mm beschichte	●	●	●	●	●	●	●	●
29	440007	Winkelschraubtülle	●	●	●	●	●	●	●	●
30	436040	Magnetventil/Modell 2000 2/2 Wege-d	●	●	●	●	●	●	●	●
31	440092	Doppelnippel G 1/8	●	●	●	●	●	●	●	●
32	440083	Winkel-Einschraubstutzen	●	●	●	●	●	●	●	●
33	436009	Druckminderer 1/8	●	●	●	●	●	●	●	●
34	440131	T-Stück (kegelig) G1/8	●	●	●	●	●	●	●	●
35	440046	Reduziernippel G 3/8 - G 1	●	●	●	●	●	●	●	●
36	440039	Reduzierstück A 3/4" 3/8	●	●	●	●	●	●	●	●
37	418017	Schmutzsieb	●	●	●	●	●	●	●	●

Pos.	Artikel Nr.	Teile/Benennung	EB 40	EB 60	EB 100	EBC 80	EBC 100	EB 120	electron	digital

Зип Общепит
vsezip.ru
+7(812)987-08-81



Eloma GmbH
Otto-Hahn-Straße 10
82212 Maisach
Germany

Phone: +49 (0) 8141 395-0
Fax: +49 (0) 8141 395-130
www.eloma.com
info@eloma.com

22.10.2002

Artikel Nr.

906053

Ausgabe

leh/bre/08/01

Technische Änderungen vorbehalten!